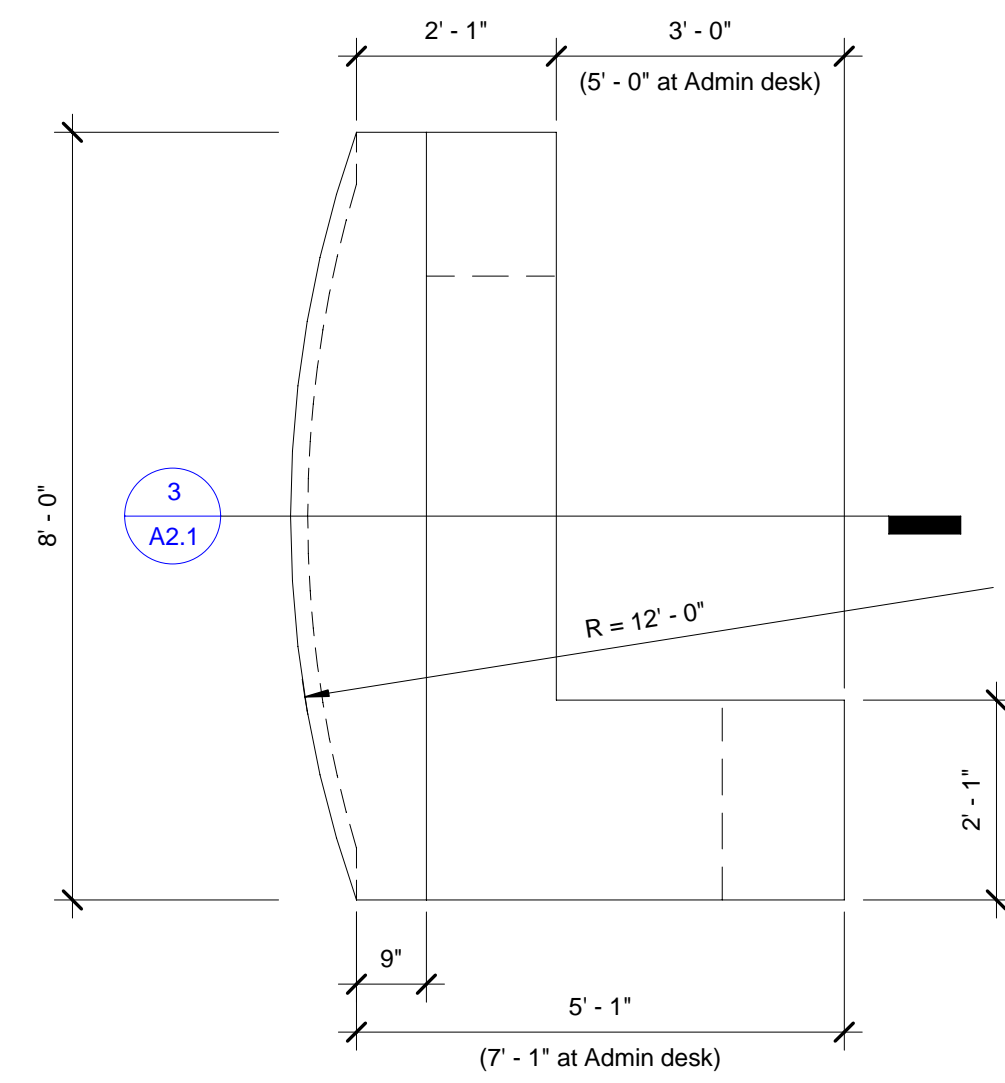
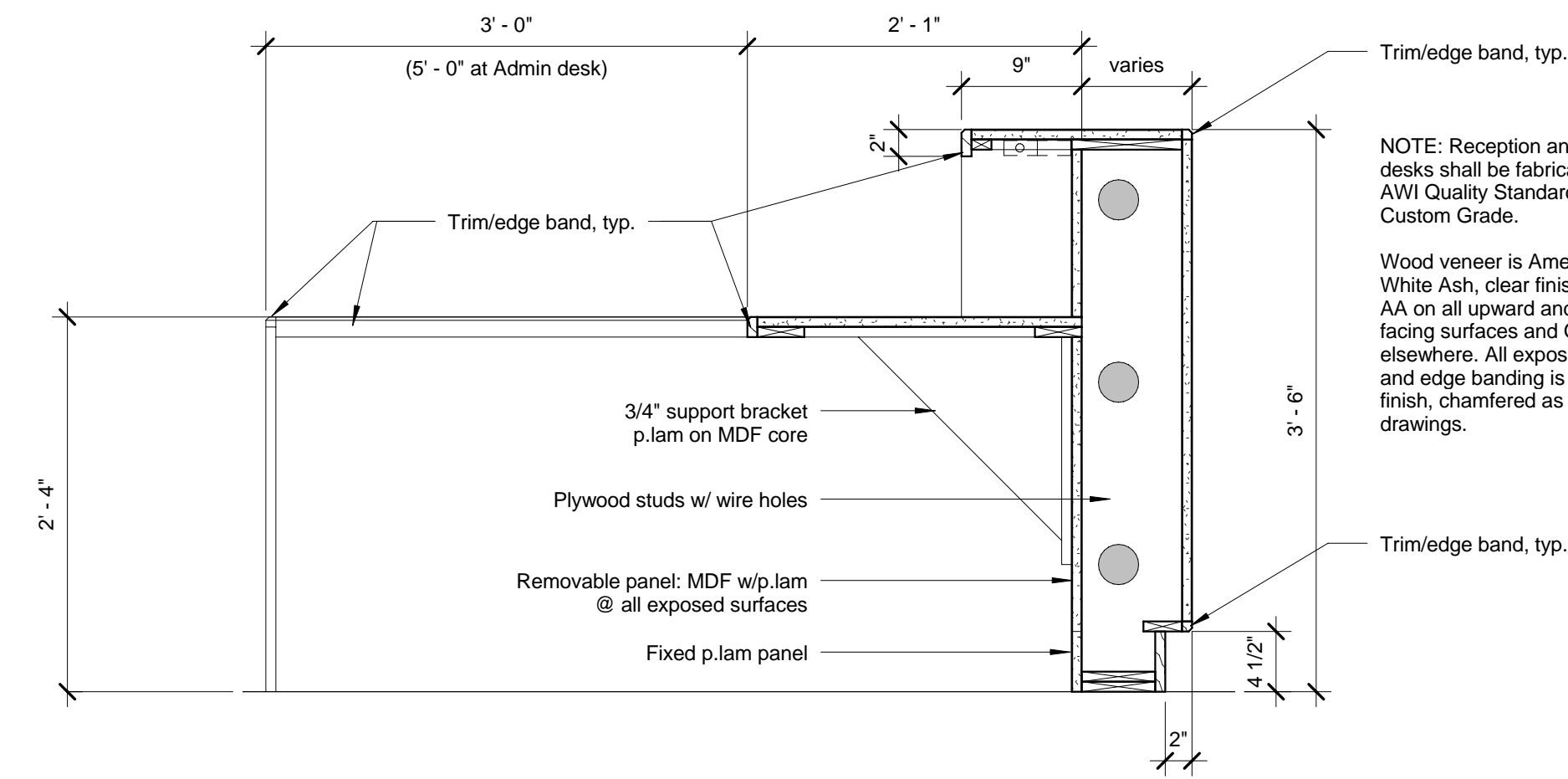




VIEW TOWARD RECEPTION FROM CORRIDOR (for visualization only)

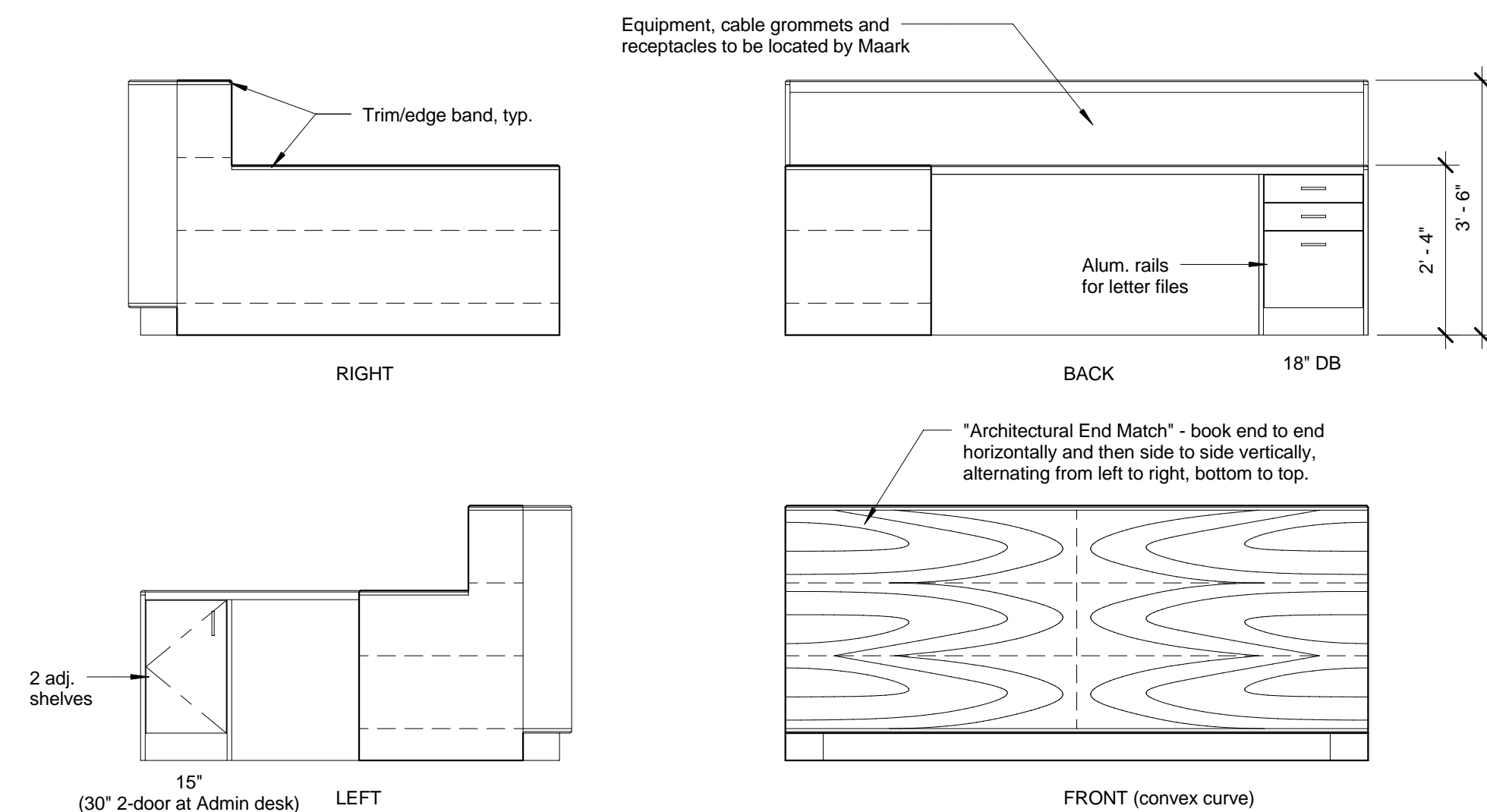


2 Reception Desk  
1/2" = 1'-0"



NOTE: Reception and Admin desks shall be fabricated to AIA Quality Standards Custom Grade.  
Wood veneer is American White Ash, clear finish, Grade AA on all upward and outward facing surfaces and Grade B elsewhere. All exposed trim and edge banding is Ash, clear finish, chamfered as shown on drawings.

3 Reception Desk Detail  
1" = 1'-0"



4 Reception Desk Elevations  
1/2" = 1'-0"



2/10/2009 12:52:42 AM